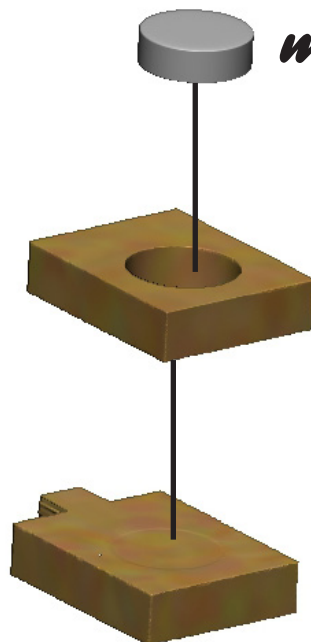
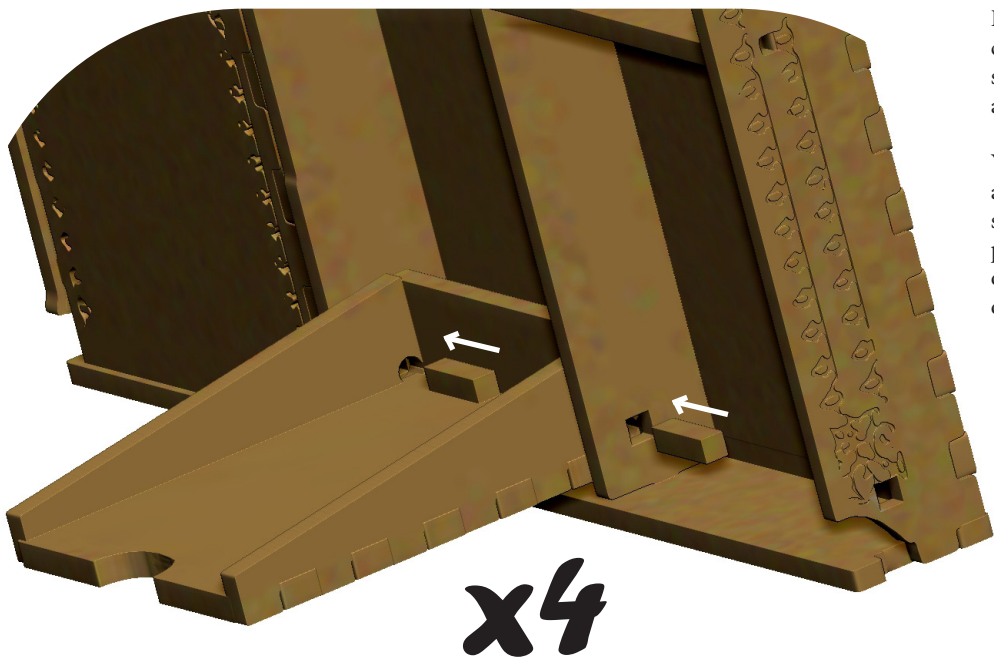
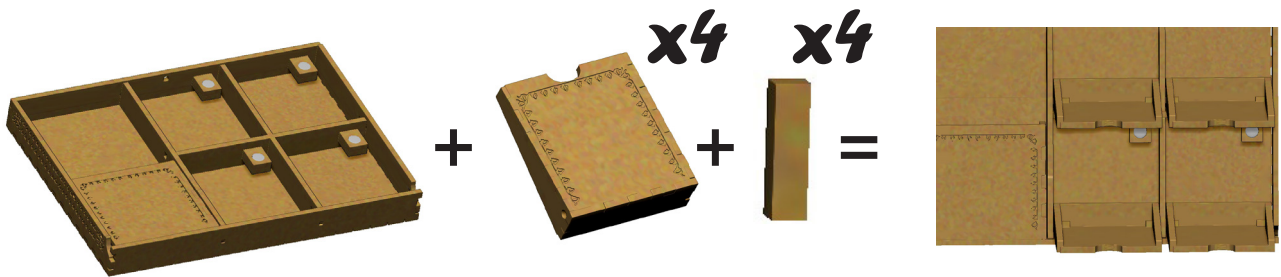
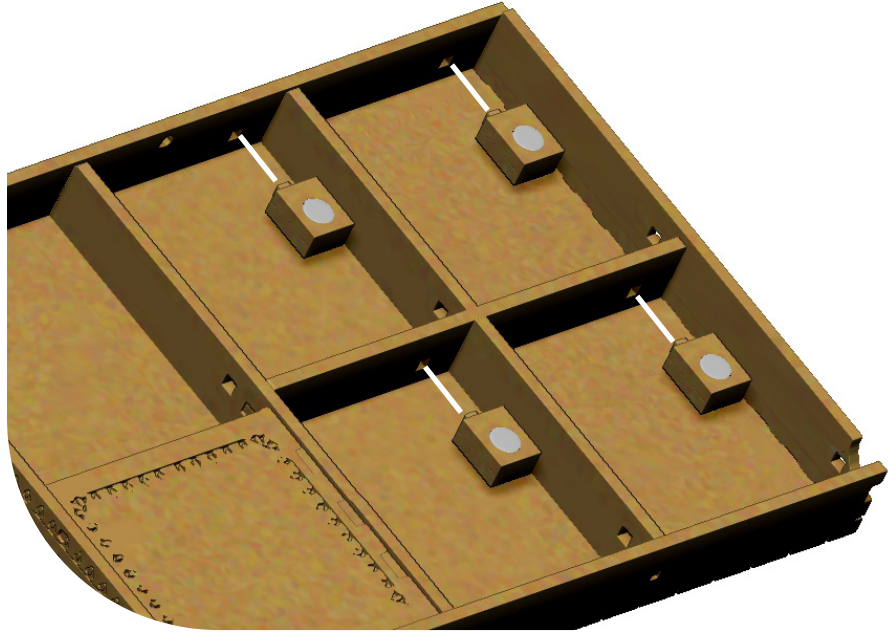
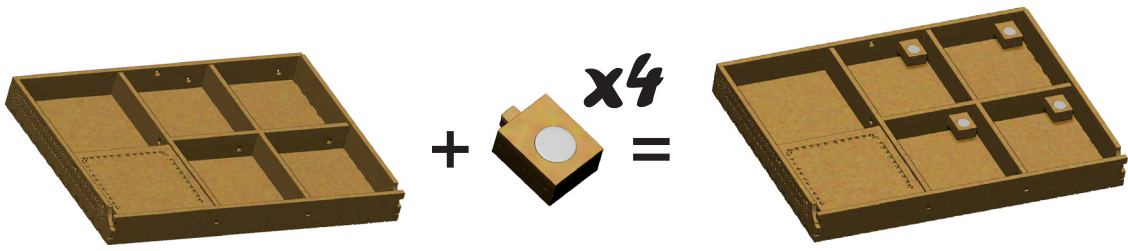


x4

magnet / imán

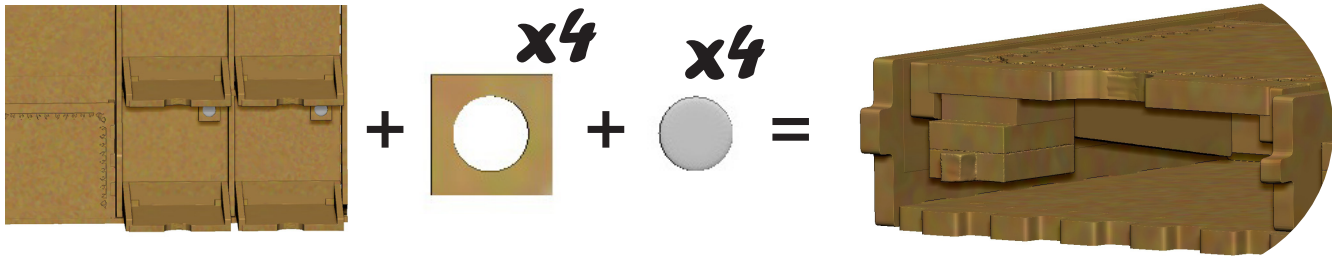




Position the drawer so that its holes coincide with the holes for the square axles. Once positioned push axles.

You will have to push the central axle enough to be able to place the second drawer next to it and then push the axle again in the opposite direction so that it contacts both drawers.





First place the magnet on top of the previously prepared base.

Then place the piece of wood so that the magnet is inside it, do not put glue between any of these pieces.

Once placed, put a little glue on the top of the assembly and close the drawer. The drawer will contact the glue and the piece of wood and magnet will stick in place.

Let the glue dry before lifting the drawer again. If you add too much glue it will overflow and some pieces that should not be glued may stick together so be careful with the amount of glue.

